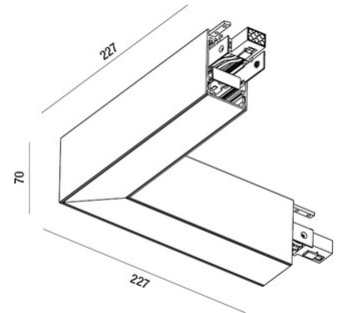


## Millet Angular joint

Angular joint for Millet System, guarantees the luminous continuity of the downlight component. Available in ceiling, suspension, single emission.

<b>Code</b>	<b>6967-00-001</b>
<b>Type</b>	Light Line Profiles – Ceiling lamp
<b>Eancode</b>	8019282532002
<b>Customs tariff</b>	94054239
<b>Material</b>	Aluminum frame and polycarbonate
<b>IP</b>	IP40
<b>Made In</b>	Italy
<b>Item Dimensions</b>	227x227x70mm - 0.9kg



CE