



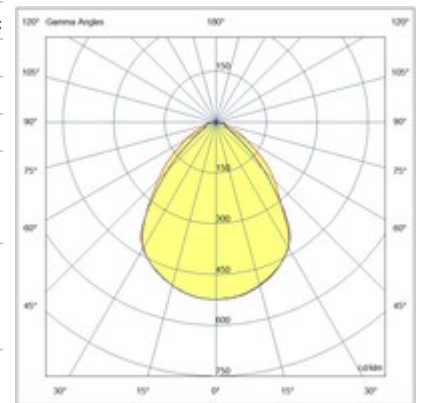
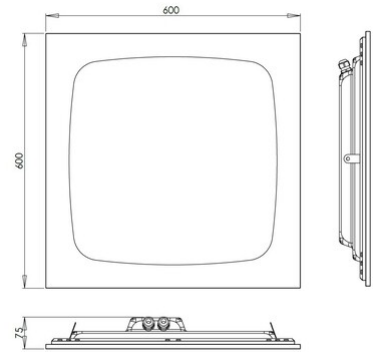
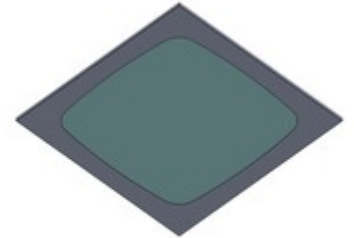
## Skilos

Skilos recessed is a lighting fixture with a 600x600 mm modular structure. Provided with an optical system which allows excellent visual comfort, the microprismatic screen guarantees a UGR<19 factor. Equipped with the latest generation of very high efficiency LEDs, 4000K natural light, CRI 90 + RGB. The IP65 degree of protection is guaranteed both on the visible side and on the recessed side. Particularly suitable for operating, aseptic, chemical and food premises.

<b>Code</b>	<b>6524-46-001</b>
<b>Type</b>	Recessed lamp
<b>Designer</b>	S.T. Fabas Luce
<b>Eancode</b>	8019282574989
<b>Customs tariff</b>	94054239
<b>Color</b>	White
<b>Material</b>	Metal frame / Opal prismatic diffuser
<b>IP</b>	IP65
<b>IK</b>	04
<b>Insulation Class</b>	 CL1
<b>Operating ambient temperature</b>	-20°C +45°C
<b>Years of warranty</b>	5
<b>Item Dimensions</b>	600x600x75mm - 4.8kg
<b>Packaging Dimensions</b>	640x640x80mm - 6kg

	Light Source 1	Light Source 2		
<b>Light source</b>	LED Built-in	LED Built-in	LED Built-in	LED Built-in
<b>LED Characteristics</b>	SMD	SMD	SMD	SMD
<b>Light Source Lumen</b>	9100 lm			
<b>Item Lumen</b>	7011 lm	950 lm	2320 lm	302 lm
<b>Color Temperature</b>	Natural white 4000 K	RED	GREEN	BLUE
<b>Optics</b>	Prismatic	Prismatic	Prismatic	Prismatic
<b>Minimum CRI</b>	>90			
<b>SDCM</b>	3 STEP			
<b>UGR</b>	<19	<19	<19	<19
<b>Energy Efficiency Class</b>				

	Electrical specifications 1	Electrical specifications 2		
<b>Input Voltage</b>	220/240V 0-50/60Hz	220/240V 0-50/60Hz	220/240V 0-50/60Hz	220/240V 0-50/60Hz
<b>Total Absorbed Power</b>	65W	32W	32W	32W
<b>Driver</b>	Included	Included	Included	Included
<b>Power Factor</b>	> 0.9	>0.9	>0.9	>0.9
<b>Control System</b>	DMX	DMX	DMX	DMX
<b>Power Supply Type</b>	Costant Voltage	Costant Voltage	Costant Voltage	Costant Voltage



CE