
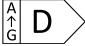
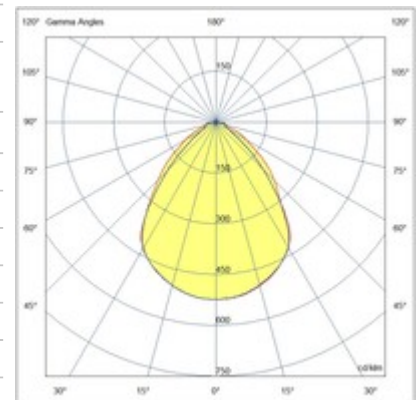
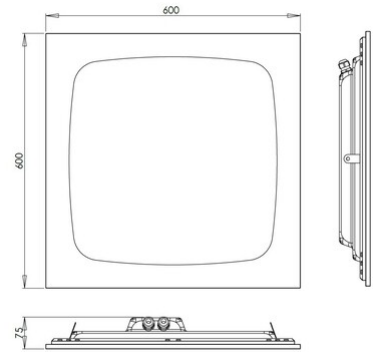
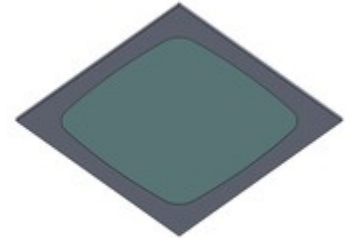


Skilos

Skilos recessed is a lighting fixture with a 600x600 mm modular structure. Provided with an optical system which allows excellent visual comfort, the microprismatic screen guarantees a UGR<19 factor. Equipped with the latest generation of very high efficiency LEDs, 4000K natural light, CRI 90. The IP65 degree of protection is guaranteed both on the visible side and on the recessed side. Particularly suitable for operating, aseptic, chemical and food premises.

Code	6524-44-001
Type	Recessed lamp
Designer	S.T. Fabas Luce
Eancode	8019282574972
Customs tariff	94054239
Color	White
Material	Metal frame / Opal prismatic diffuser
IP	IP65
IK	04
Insulation Class	 CL1
Operating ambient temperature	-20°C +45°C
Years of warranty	5
Item Dimensions	600x600x75mm - 4.8kg
Packaging Dimensions	640x640x80mm - 6kg
Light Source 1	
Light source	LED Built-in
LED Characteristics	SMD
Light Source Lumen	9100 lm
Item Lumen	7011 lm
Color Temperature	Natural white 4000 K
Optics	Prismatic
Minimum CRI	>90
SDCM	3 STEP
UGR	<19
Energy Efficiency Class	
Electrical specifications 1	
Input Voltage	220/240V 0-50/60Hz
Total Absorbed Power	65W
Driver	Included
Power Factor	> 0.9
Control System	DMX
Power Supply Type	Costant Voltage



CE