
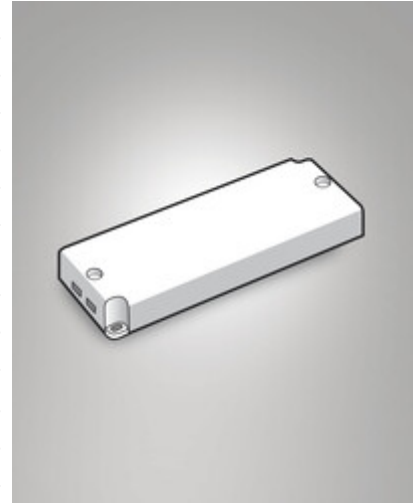


Power Supply 24V DC

Code	6301-02-079
Type	Power Supplies and Drivers
Eancode	8019282107316
Customs tariff	85043180
Material	Plastic frame
IP	IP20
Insulation Class	 CL2
Operating ambient temperature	-20°C +50°C
Item Dimensions	43x30x225mm
	Electrical specifications 1
Total Absorbed Power	60W
Driver Output	24V DC
Driver Input	220/240 VAC



CE  SELV