
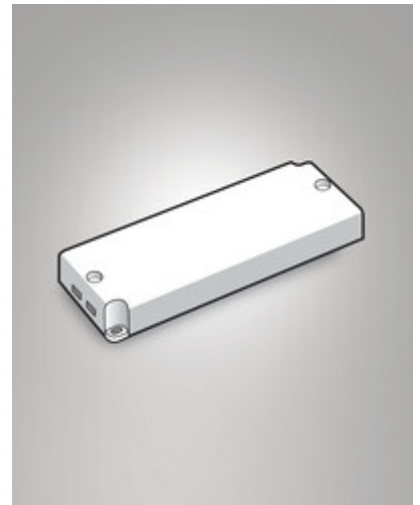


Power Supply 24V DC

Code	6301-02-019
Type	Power Supplies and Drivers
Eancode	8019282055013
Customs tariff	85043180
Material	Metal frame
IP	IP65
Insulation Class	 CL1
Operating ambient temperature	-40°C +70°C
Item Dimensions	228x68x38,8mm
	Electrical specifications 1
Total Absorbed Power	185W
Driver Output	24V DC
Driver Input	90/264 VAC



CE  SELV