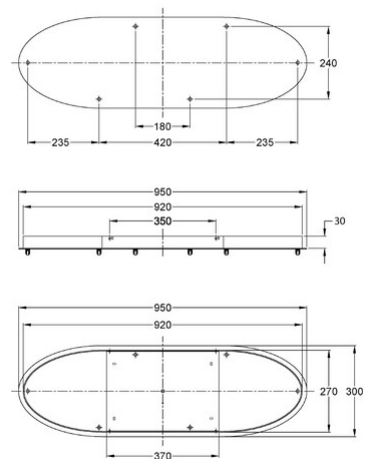


## Kit Luci E27-E14 frame

Elliptical 3 lights

|                             |                                    |
|-----------------------------|------------------------------------|
| <b>Code</b>                 | <b>3481-56-101</b>                 |
| <b>Type</b>                 | 6-holes frame                      |
| <b>Designer</b>             | S.T. Fabas Luce                    |
| <b>Eancode</b>              | 8019282544487                      |
| <b>Customs tariff</b>       | 94059900                           |
| <b>Color</b>                | Black                              |
| <b>Material</b>             | Metal frame                        |
| <b>Item Dimensions</b>      | 950x300x30mm - 5kg                 |
| <b>Packaging Dimensions</b> | 1020x380x110mm - 5.9kg             |
|                             | <b>Electrical specifications 1</b> |
| <b>Input Voltage</b>        | 230V AC 50Hz                       |



CE