

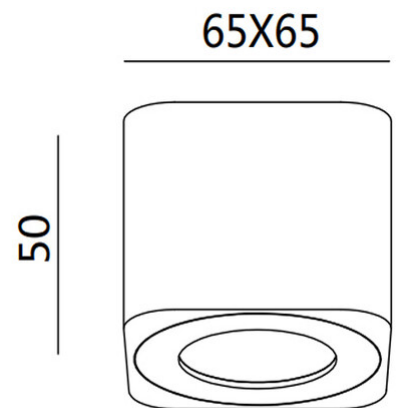


Palmi

Code	3429-79-282
Type	Spotlight
Designer	S.T. Fabas Luce
Eancode	8019282572381
Customs tariff	94051190
Color	Anthracite
Material	Aluminum frame
IP	IP20
IK	08
Insulation Class	 CL1
Operating ambient temperature	+5°C + 35°C
Years of warranty	2
Item Dimensions	65x65x50mm - 0.25kg
Packaging Dimensions	90x90x70mm - 0.29kg
Light Source 1	
Light source	LED Built-in
LED Characteristics	COB
Light Source Lumen	540 lm
Item Lumen	512 lm
Color Temperature	CCT (2700K 3000K 4000K)
Minimum CRI	>80
Energy Efficiency Class	
Electrical specifications 1	
Input Voltage	220/240V AC 50/60Hz
Total Absorbed Power	6W
Driver	Included



CE